

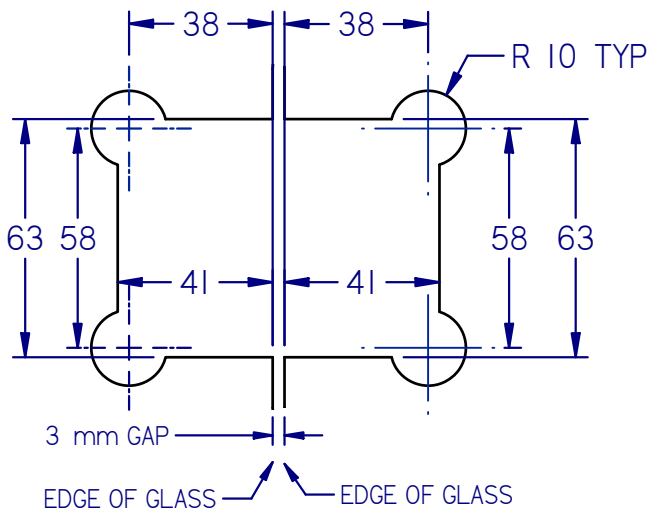
PRODUCT CODE: 104B

TRIDENT 90° BEVELLED GLASS TO GLASS HINGE

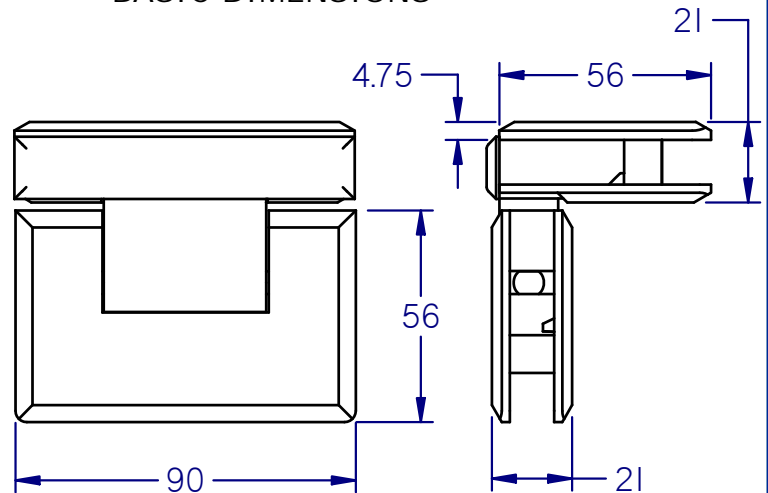
TECHNICAL DETAILS

Manufactured from Solid Brass
 Stainless Steel screws and fittings
 Dual Action
 Self Closing from 25°
 Suitable for 10mm glass
 Chrome and Satin Finishes Available

GLASS TEMPLATE



BASIC DIMENSIONS



TYPICAL APPLICATION

