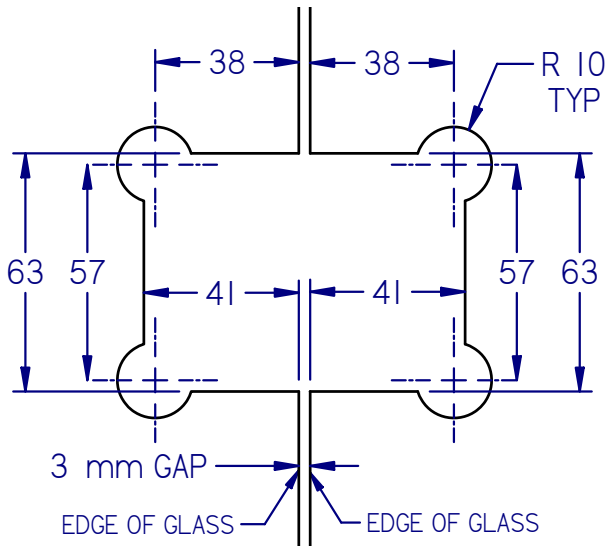


PRODUCT CODE: SH 103B
 TRIDENT 180° BEVELLED GLASS TO GLASS
 HINGE

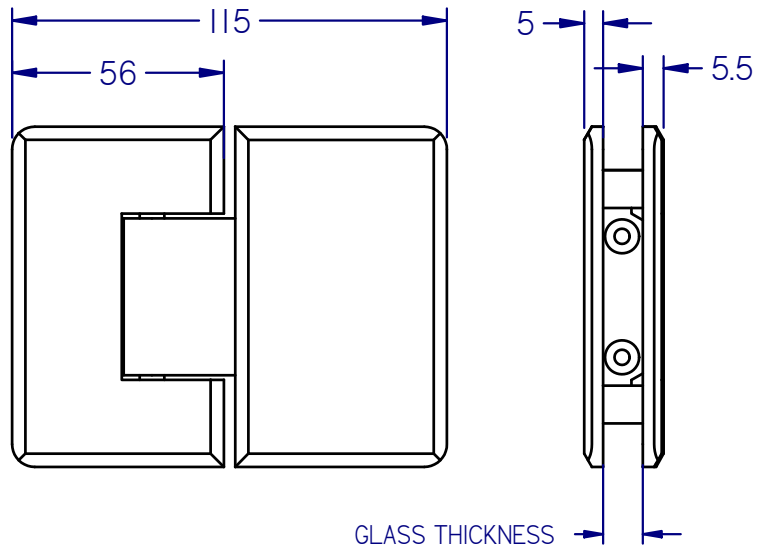
TECHNICAL DETAILS

Manufactured from Solid Brass
 Stainless Steel screws and fittings
 Dual Action
 Self Closing
 Suitable for 10mm glass
 Chrome and Satin Finishes Available

GLASS TEMPLATE



BASIC DIMENSIONS



TYPICAL APPLICATION

