

PRODUCT CODE: SB 102

TRIDENT 135 DEGREE GLASS TO GLASS CLAMP

TECHNICAL DETAILS

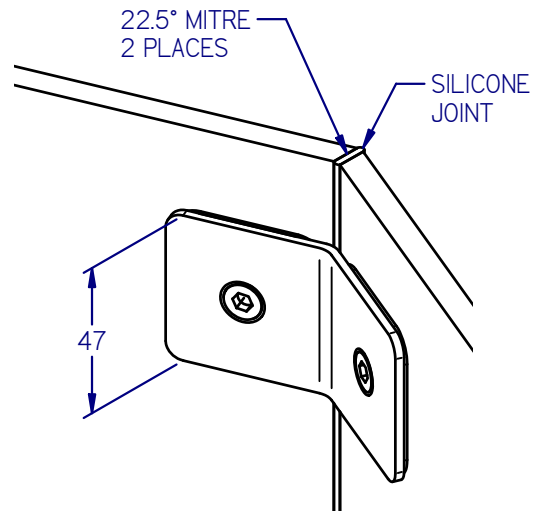
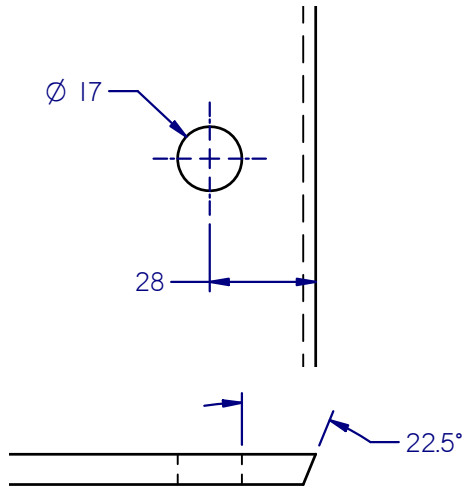
Manufactured from Solid Brass

Stainless Steel screws

Suitable for 8mm - 10mm glass

Chrome and Satin Finishes Available

GLASS TEMPLATE



BASIC DIMENSIONS

