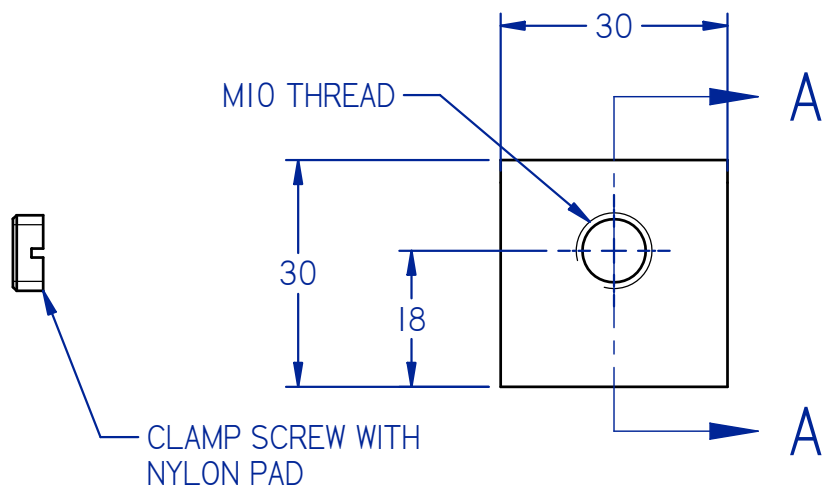
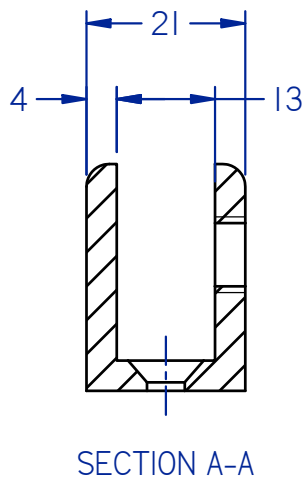


PRODUCT CODE: SA 106 25C
TRIDENT 25mm SHELF BRACKET

TECHNICAL DETAILS

Manufactured from Solid Brass
Stainless Steel Clamp Screw with Nylon Pad
Suitable for 10mm / 12mm Glass
Available in chromed finish

BASIC DIMENSIONS



TYPICAL APPLICATION

